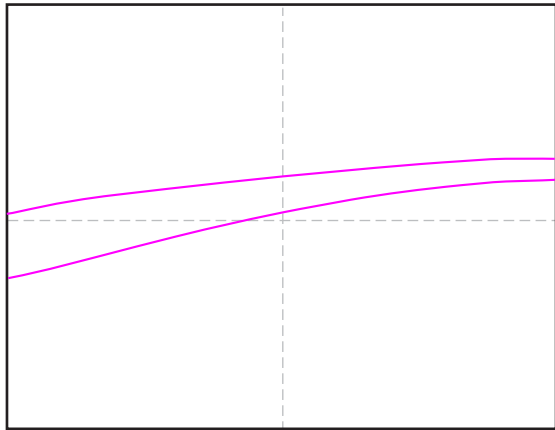
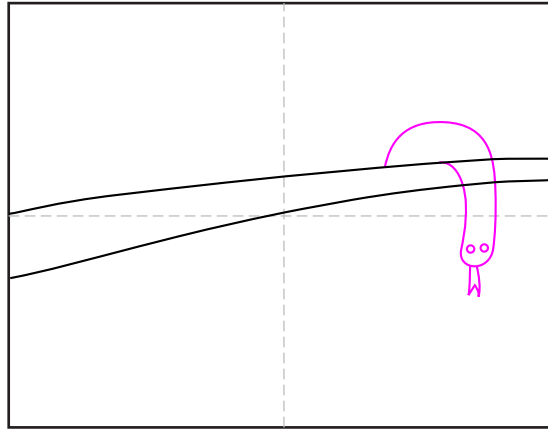


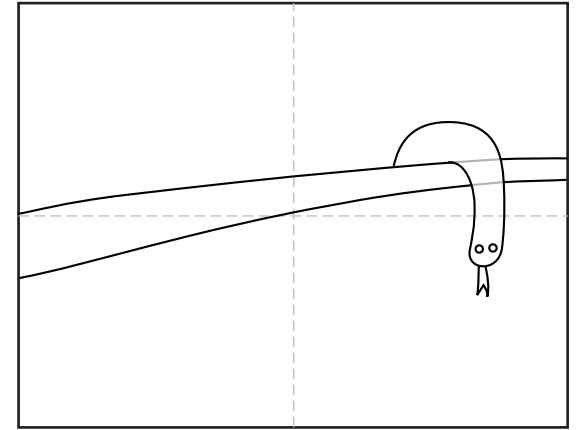
Draw a Tree Snake



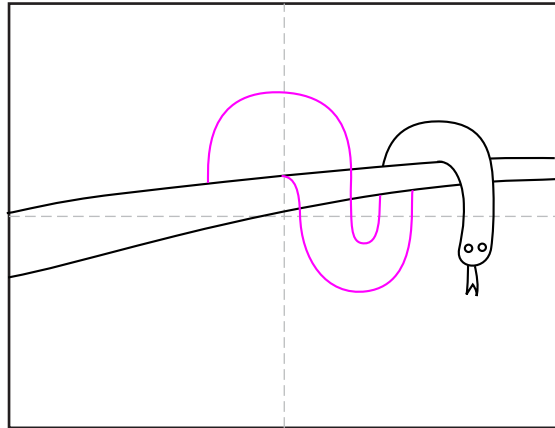
1. Draw a branch.



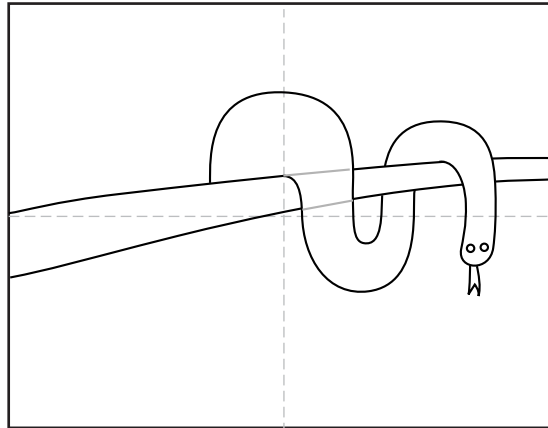
2. Draw the snake head hanging down.



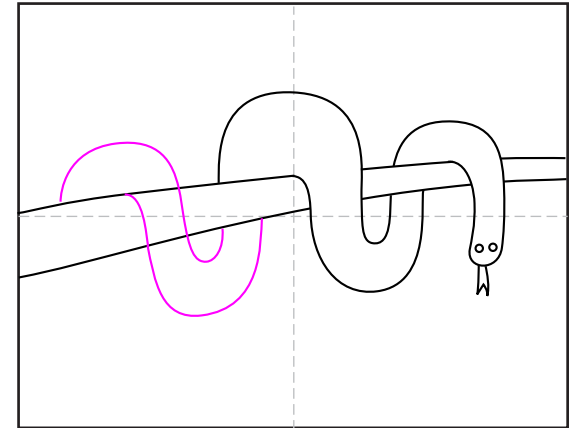
3. Erase the branch lines inside.



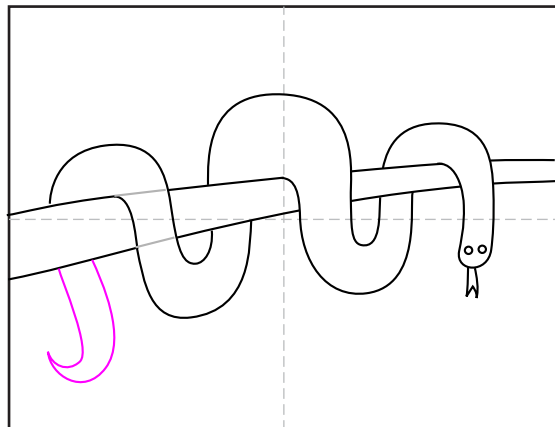
4. Draw the next wrapped snake section.



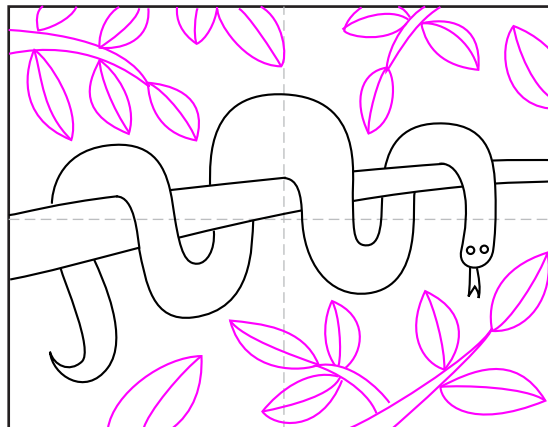
5. Erase the branch lines inside.



6. Draw the next wrapped snake section.



7. Erase the branch lines inside. Add a tail.



8. Fill the remaining area with leaves.



9. Trace with a marker and color.

